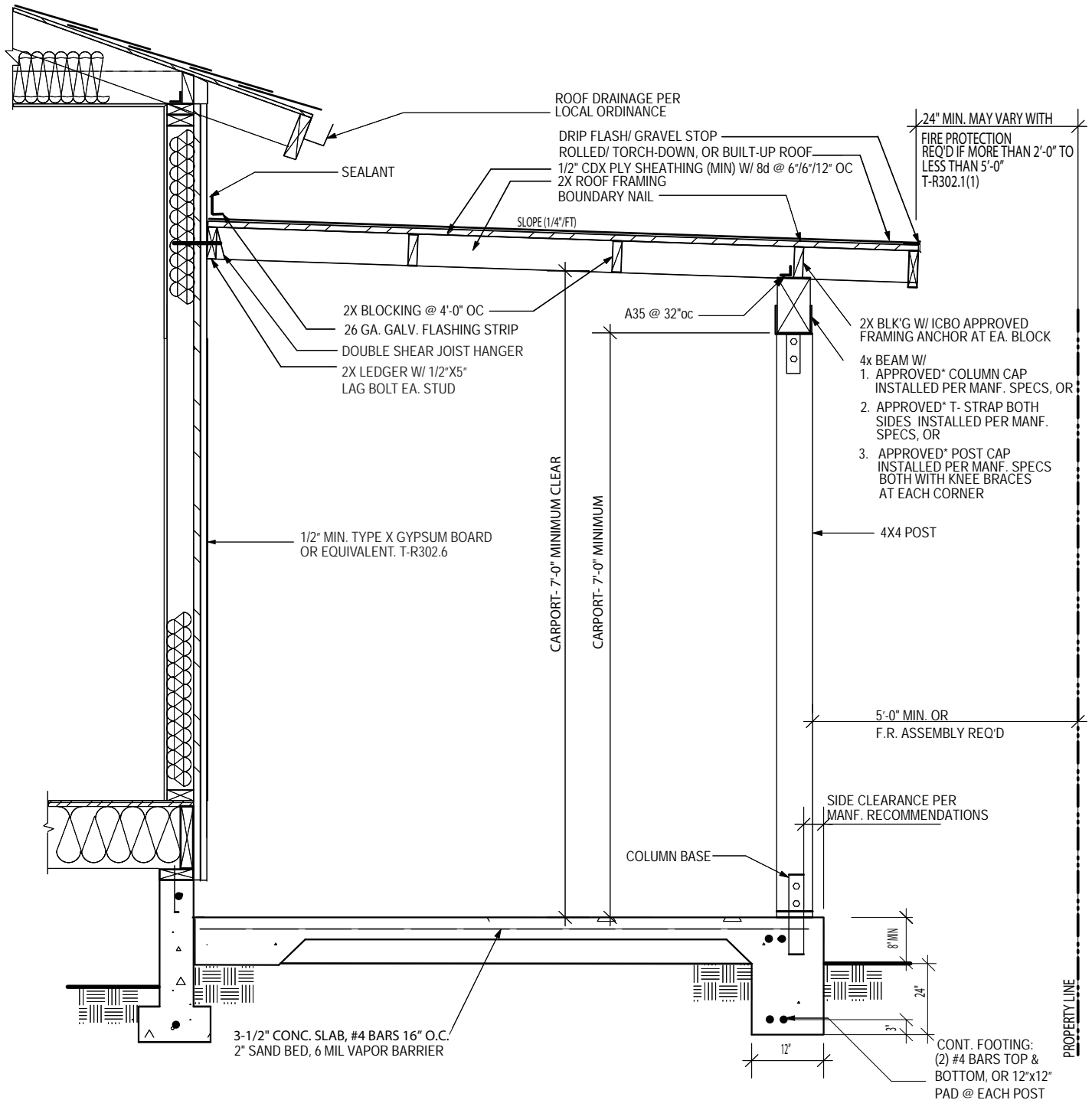




ATTACHED CARPORT FOR SINGLE FAMILY RESIDENCE

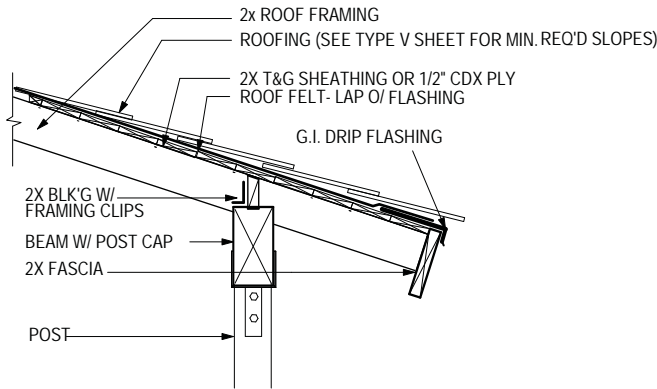
TYPE V CONSTRUCTION- WOOD FRAME SINGLE FAMILY RESIDENTIAL BUILDINGS



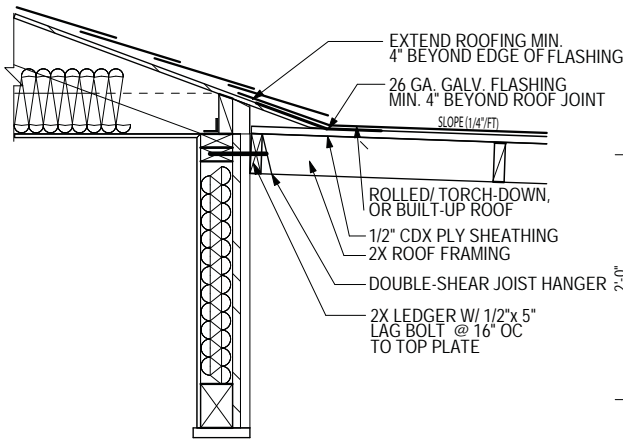
Attached Carport
Single Family Residence CBC Section 406

* NOTE: ALL APPROVED HARDWARE SHALL HAVE A CURRENT ICC-ESR REPORT

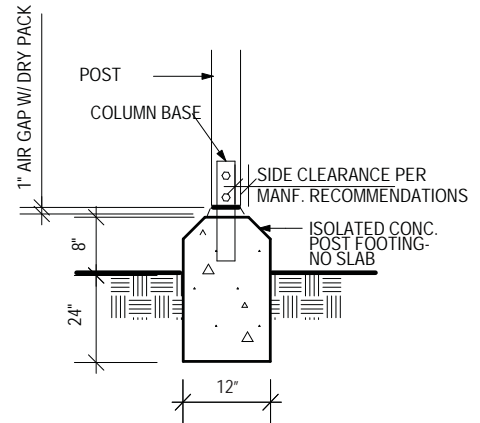
ATTACHED CARPORT FOR SINGLE FAMILY RESIDENCE



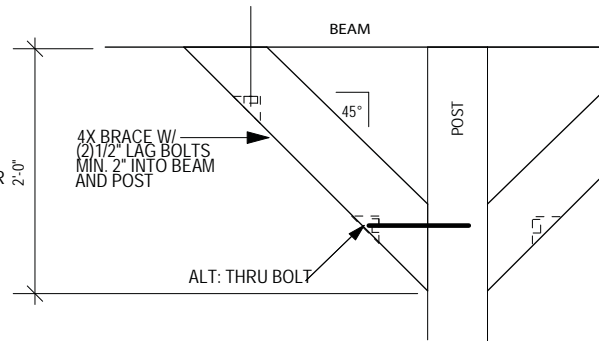
ALTERNATE EAVE DETAIL



ALTERNATE CONNECTION DETAIL



ALT. FOOTING DETAIL



KNEE BRACE DETAIL

ALLOWABLE SPANS FOR DF #1 HEADERS
Maximum span of tributary load: 20'-0"

SPAN	BEAM SIZE
Up to 4'-0"	4x4
4'-1" to 6'-0"	4x6
6'-1" to 8'-0"	4x8
8'-1" to 10'-0"	4x10
10'-0" to 12'-0"	4x12*

* 4x12 DF No. 1 may be used over a 16'-0" garage door in one-story open patio or carport structures.

Note:
THIS SHEET IS FOR INFORMATION AND REFERENCE ONLY AND IS NOT A SUBSTITUTE FOR ACCURATE DRAWINGS PREPARED FOR EACH PROPOSED CONSTRUCTION PROJECT.

ALLOWABLE SPANS FOR DF #2 ROOF RAFTERS
Light Dead Load (up to 15 psf)/Max. Roofing Load: 6 psf (Asphalt Shingles)
Live Load: 20 psf

RAFTER SIZE	SPACING	ALLOWABLE SPAN
2x6	24"	10'-9"
	16"	13'-0"
	12"	14'-9"
2x8	24"	13'-6"
	16"	16'-7"
	12"	18'-11"
2x10	24"	16'-6"
	16"	20'-3"
	12"	23'-5"
2x12	24"	19'-2"
	16"	23'-6"
	12"	25'-10"

ALLOWABLE SPANS FOR DF #2 CEILING JOISTS
Dead Load: 10 psf/ Live Load: 20 psf

JOIST SIZE	SPACING	ALLOWABLE SPAN
2x4	24"	7'-2"
	16"	8'-9"
	12"	9'-10"
2x6	24"	10'-6"
	16"	12'-10"
	12"	14'-10"
2x8	24"	13'-3"
	16"	16'-3"
	12"	18'-9"
2x10	24"	16'-3"
	16"	19'-10"
	12"	22'-11"